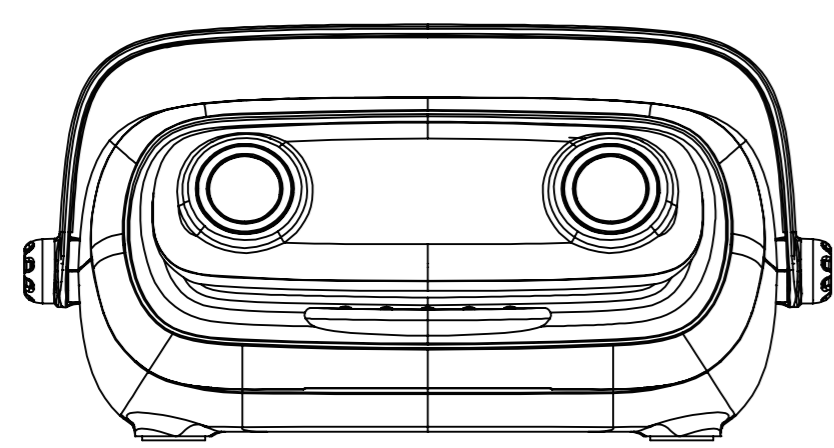


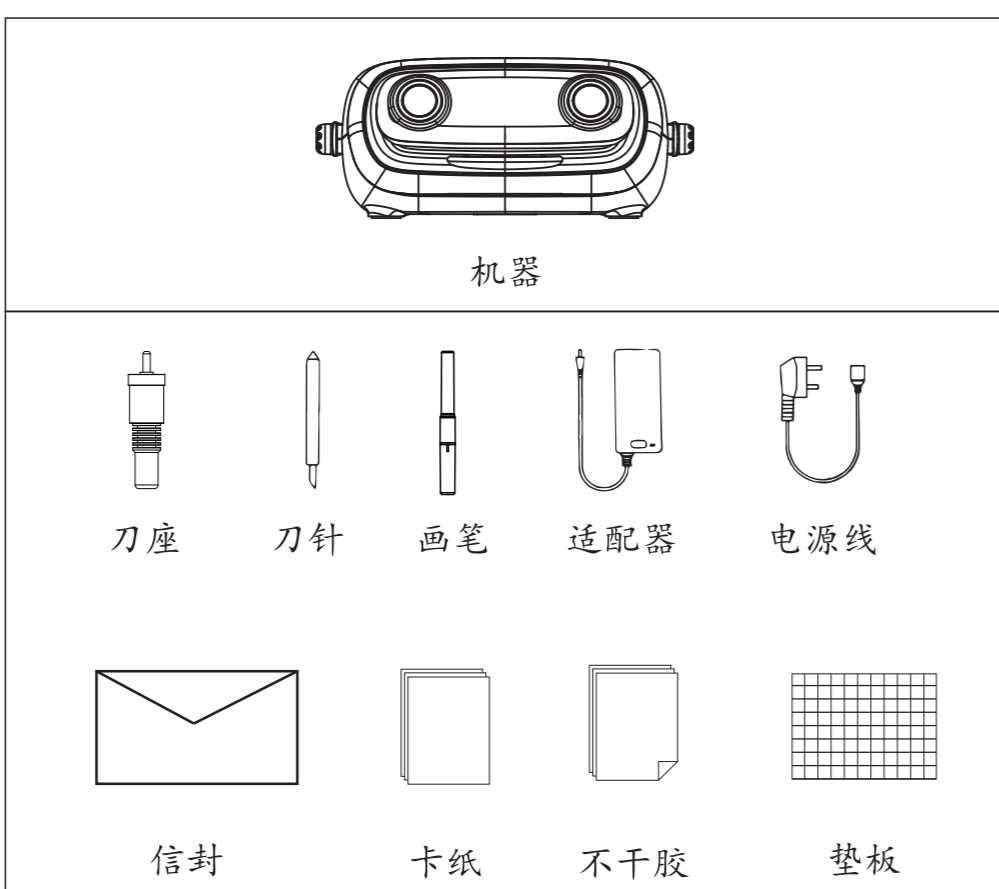
14.8cm

21cm

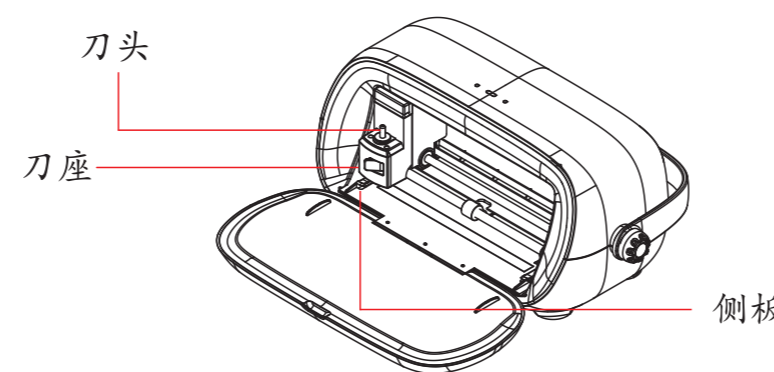
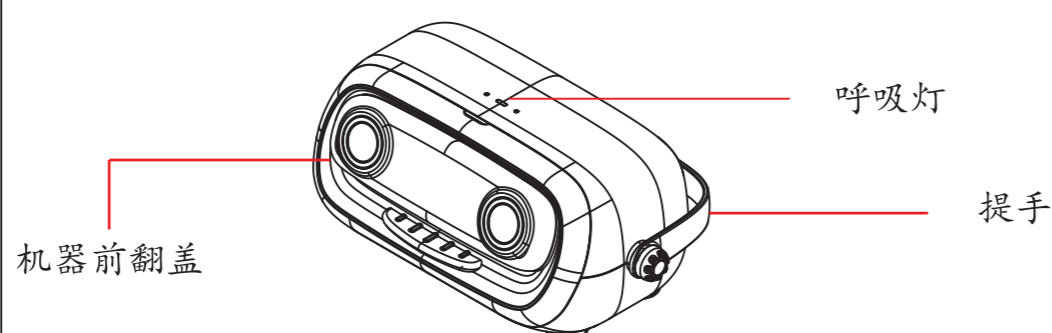
Smart mini 产品手册



产品清单



外观及功能



使用说明

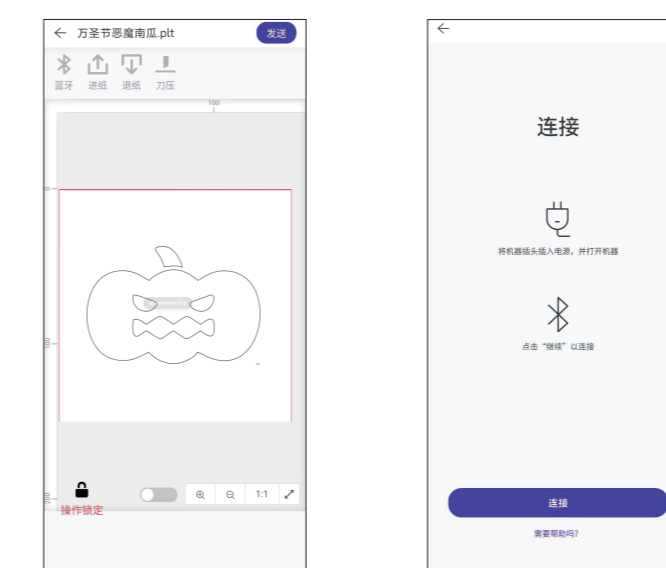
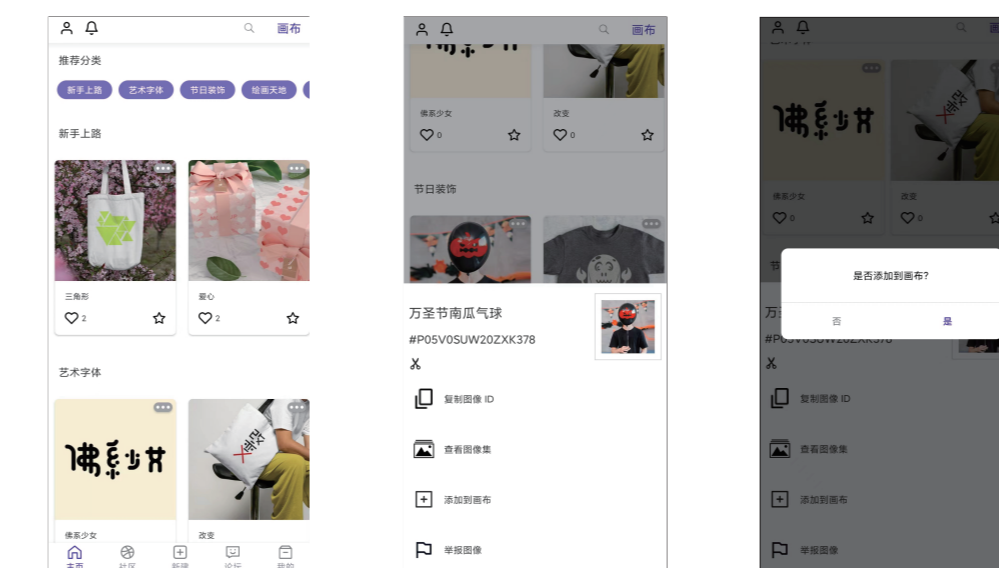
一、Smart mini需要用蓝牙连接一台智能手机才能运行。

1. 从你的手机应用商店下载 Smart mini-APP, 根据APP提示完成注册。



2. 确保将机器插入电源插座, 呼吸灯开始闪烁, 开机成功。

3. 在APP主界面去选择切割的项目, 点击即可添加到画布, 到画布中选择机器蓝牙。



4. 您现在可以使用您的Smart mini了。

产品参数

产品参数	
机器型号	Smart mini
机器尺寸	244.6*143*117.5mm
机器毛重/净重	3.6kg/2.5kg
最大切割尺寸	152.4mm
切割压力	0-500g

为了您和他人的安全并防止S1家用刻字机损坏, 所有操作机器都需要阅读和理解本手册。该设备不适合以下人士使用, 身体有缺陷(包括身体感官或精神缺陷)、不适合儿童单独使用或者缺乏经验和相关知识人士使用。在操作过程中, 请将易燃易爆物品或宠物远离机器。

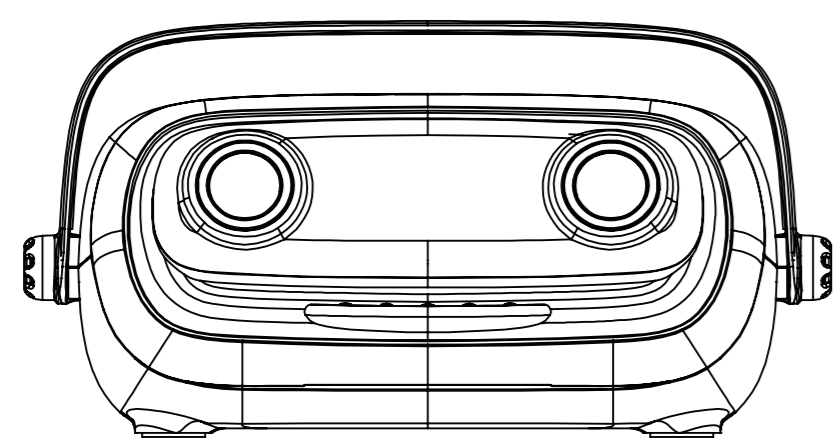
更换切割刀片时, 请确保将机器关闭并从电源插座上拔下, 确保在远离水分的干燥区域内使用并存放机器。当不使用时, 应关闭机器并从电源, 并且从插座上拔下电源。外壳可以用轻湿布清洁。仅使用随机器配备的电源适配器。使用其他适配器可能会产生风险。

注意事项

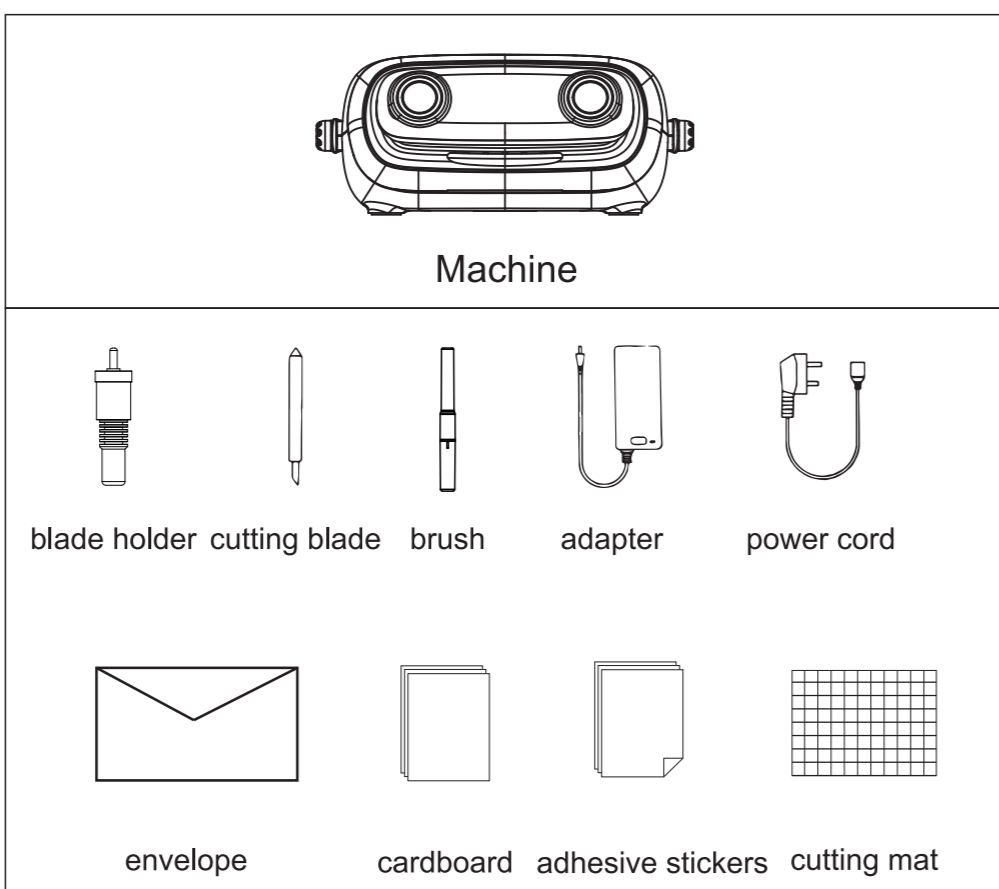
	避免刀尖划伤手指
	安放机器的工作环境必须整洁干净避免金属液体等掉进机器导致火灾, 且有足够的安装空间
	禁止破坏或更换原配电源线, 切勿使电源线过度弯曲、强拉、捆绑及压在重物下, 以防电源受损导致火灾
	较长时间不使用机器, 请断开机器电源, 以防火灾
	放置机器的台面必须平整稳固, 以防设备跌落
	当您想断电时, 请握紧插头按下面不要拉线拔下, 强拉电线会导致火灾
	在雷雨闪电天气禁止使用, 避免被雷击
	禁止私自拆卸

说明书内容会根据产品升级不定期进行修订, 可能会与实际产品略有出入, 具体以实际产品为准, 请您谅解!

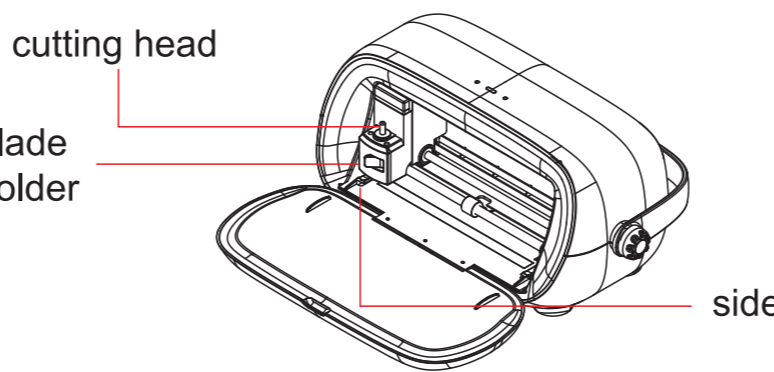
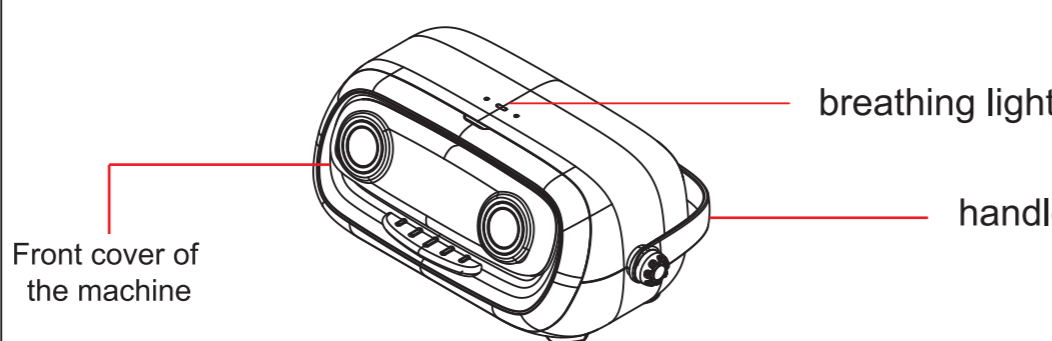
Smart Mini Product Manual



Product List



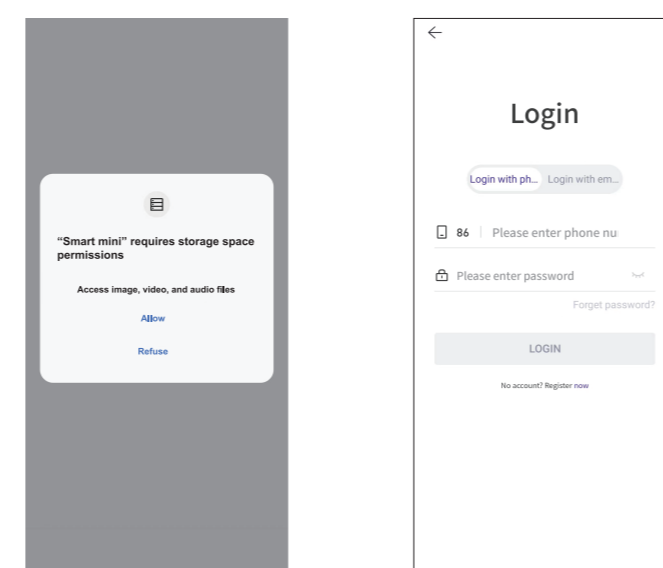
Appearance and Functionality



Instructions for Use

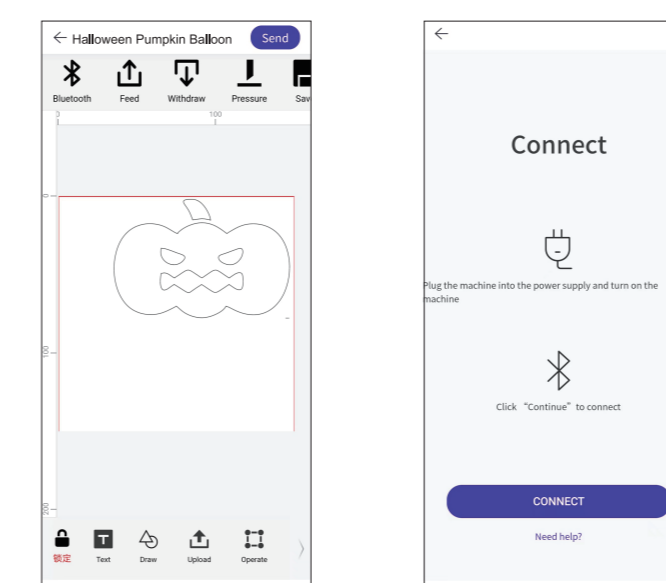
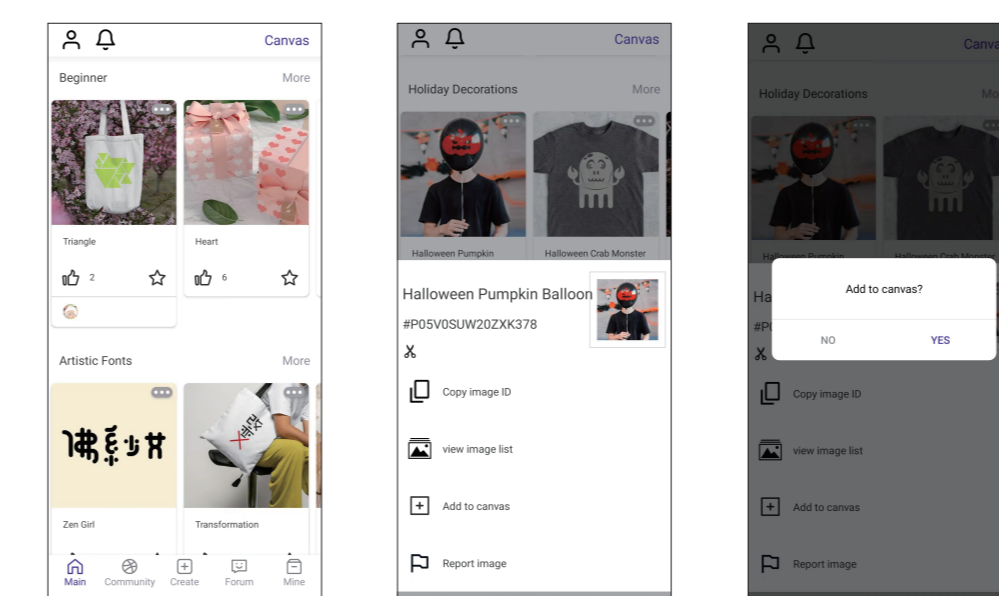
一、Smart Mini requires a Bluetooth connection to a smartphone for operation.

1. Download the Smart Mini app from your phone's app store and complete registration as per the app's instructions.



2. Ensure the machine is plugged into a power outlet; the breathing light will start flashing, indicating successful startup.

3. From the app's main interface, select the cutting project, click to add it to the canvas, and connect the machine's Bluetooth to the canvas.



4. You can now use your Smart Mini.

Product Specifications

Product Specifications	
Machine model	Smart mini
Machine size	244.6*143*117.5mm
Machine gross/net weight	3.6kg/2.5kg
Maximum cutting size	152.4mm
Cutting pressure	0-500g

For your safety and to prevent damage to the S1 household engraving machine, it's important to read and understand this manual before operating the machine. This device is not suitable for individuals with disabilities (including physical or mental impairments), children using it independently, or individuals lacking experience and relevant knowledge. During operation, keep flammable or explosive materials and pets away from the machine.

When replacing cutting blades, ensure the machine is turned off and unplugged from the power outlet. Use and store the machine in a dry area away from moisture. When not in use, turn off the machine, unplug it, and remove the power plug from the socket. Clean the exterior using a lightly damp cloth. Only use the power adapter provided with the machine. Using other adapters may pose risks.

Notice

	Avoid scratching your fingers
	The working environment where the machine is placed must be clean and tidy to prevent metal liquids from falling into the machine and causing fires, and there must be enough installation space.
	It is forbidden to damage or replace the original power cord. Do not excessively bend, pull, bend, or press the power cord under heavy objects to prevent damage to the power supply and cause electric shock or fire.
	If you do not use the machine for a long time, please disconnect the machine power to prevent fire.
	The table where the machine is placed must be flat and stable to prevent the machine from falling.
	When you want to disconnect the power, please grip under the plug and pull it out. Do not pull the cable. Forcibly pulling the cable may cause electric shock or fire.
	Prohibited to use during thunderstorms to avoid being hit by lightning
	Prohibit unauthorized disassembly

The content of this manual is subject to occasional revisions due to product upgrades and may slightly differ from the actual product. Please refer to the actual product for precise information. Thank you for your understanding!

技术要求

- 1、尺寸：按图所示
- 2、材质：铜板纸正反面印刷

销售部	采购部	品质部	生产部
设计	(签名) (年月日)	标准化	(签名) (年月日)
审核			
工艺		批准	

阶段标记	数量	比例
产量	1	
共 1 页 第 1 页		

环盛智能 (深圳) 有限公司
说明书
A5/S1-04-005A